

CPVC Pipe & Threaded Fittings

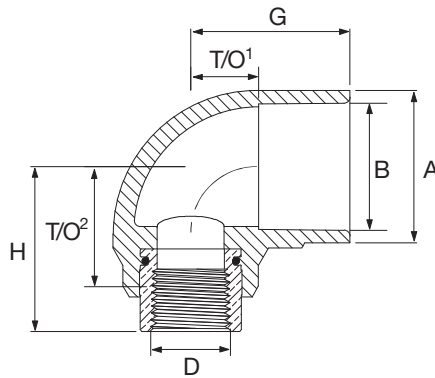
CPVC Fittings

Sprinkler Head Adaptor, 90° Elbow, Slip x Female Thread



Sizes	DN20 x DN15 thru DN25 x DN20 (3/4" x 1/2" thru 1" x 3/4")
Approvals	UL, C-UL Listed & FM, MEA, NSF, & LPCB Approved
Rated Pressure	12,1 bar (175 psi)
Maximum Temperature Rating	65°C (150°F).
Tech Data Sheet	TFP1915 and Installation Handbook - IH-1900

Manufactured with Lubrizol's BLAZEMASTER® compound ■ Produced from BlazeMaster® thermoplastic compound, RAPID RESPONSE CPVC fittings are designed exclusively for use in wet and dry pipe automatic fire sprinkler systems. ■ Our CPVC is easier to install than traditional steel components, while providing superior heat resistance and strength compared to traditional CPVC and PVC fitting materials.



CPVC Sprinkler Head Adaptor 90° Elbow, Slip x Female Thread

Part No.	Size				A mm	G mm	H mm	T/O¹ mm	T/O² mm	Weight kg	Approval Listings				
	B Nominal		D Threaded								LPCB	FM	UL	MEA	NSF
	DN	In.	DN	In.											
80199	20	3/4"	15	1/2" NPT	33	35	38	14	25	0.091	✓	✓	✓	✓	✓
80198	25	1"	15	1/2" NPT	40	40	44	18	31	0.118	✓	✓	✓	✓	✓
80196	25	1"	20	3/4" NPT	45	51	49	27	37	0.120	✓	✓	✓	✓	✓